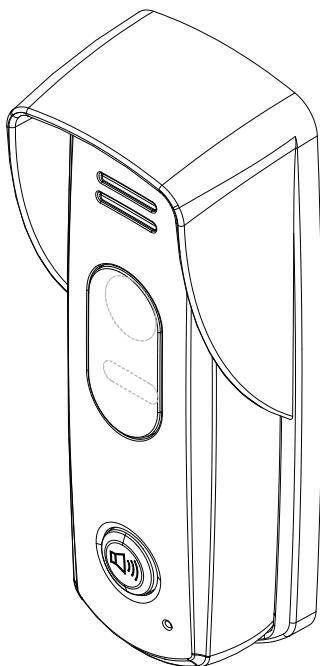




## INSTALLATION MANUAL

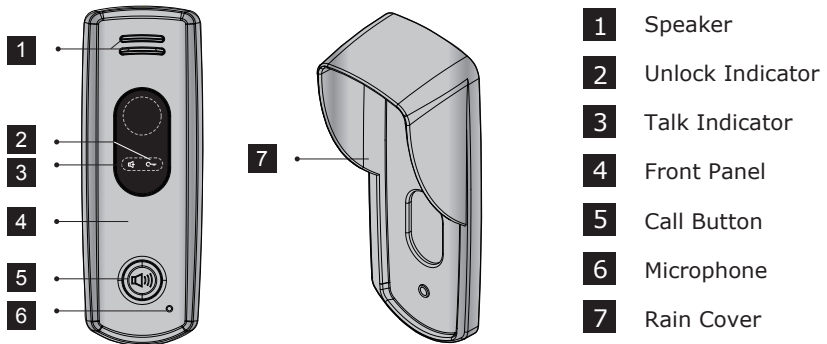
# 2-Wire Intercom System



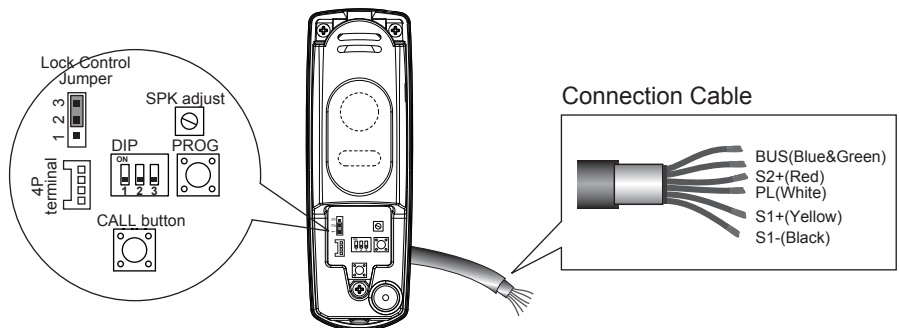
Read this manual carefully before using the product, and keep safe for future use.

## Parts and Function

The audio door station is designed for the 2Easy 2-wire system. The 17-D is made of zinc alloy for protection against vandalism including the call button featuring a blue backlight for auxiliary illumination. The door unlock and speech LED indicator show visual verification of operation. The rain cover provides protection adverse weather.



## Terminal Description



- ◆ **Lock Control Jumper:** For selection of lock type. Please refer to Electric Lock Connection: Pg7.
- ◆ **DIP switch:** to set ID code for door station, total 4 door stations can be supported. Please refer to DIP Switch Settings.
- ◆ **SPK adjust:** to adjust the talk volume.
- ◆ **PROG button:** reserved.
- ◆ **CALL button:** press to call the user.
- ◆ **4P terminal:** to update software via specified programmer.
- ◆ **Connection cable:** to connect the bus line and the electronic locks.
  - BUS(Blue&Green): connect to the bus line, no polarity.
  - S2+(Red): the S2+ connect with S1- to activate the relay of ERL to extend a camera of DT-CAM, please refer to DT-CAM user instructions in details.

PL(White): external lock power input, connect to the power positive(power +).  
 S1+(Yellow): lock power(+) output.  
 S1-(Black): lock power(-) output.

## Unit Mounting

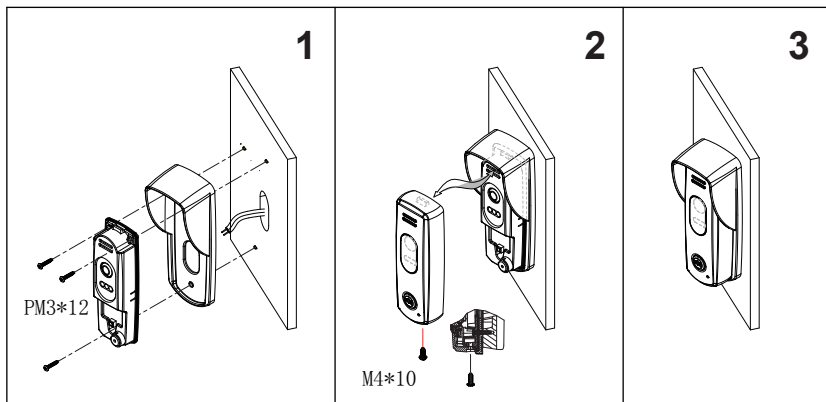
The location of outdoor station should kept away from direct snow, rain and intense light.  
 Accessory contents:

Accessories include a screwdriver T20, one M4x10 screw, two PA4x25 screws, three PA3x25 screws, three PM3x12 screws and five screw stoppers □6x30.

Installation steps:

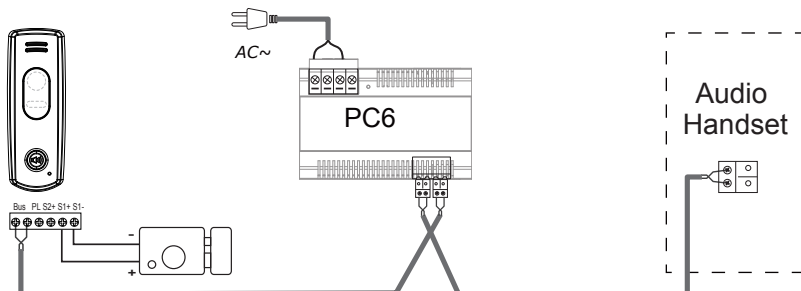
Installation height for door station usually is 145~160cm.

1. Use screws to fix the back panel and rain cover to the wall, connect the cable correctly.
2. Attach the front panel to the back panel, then use the screw to fix it.



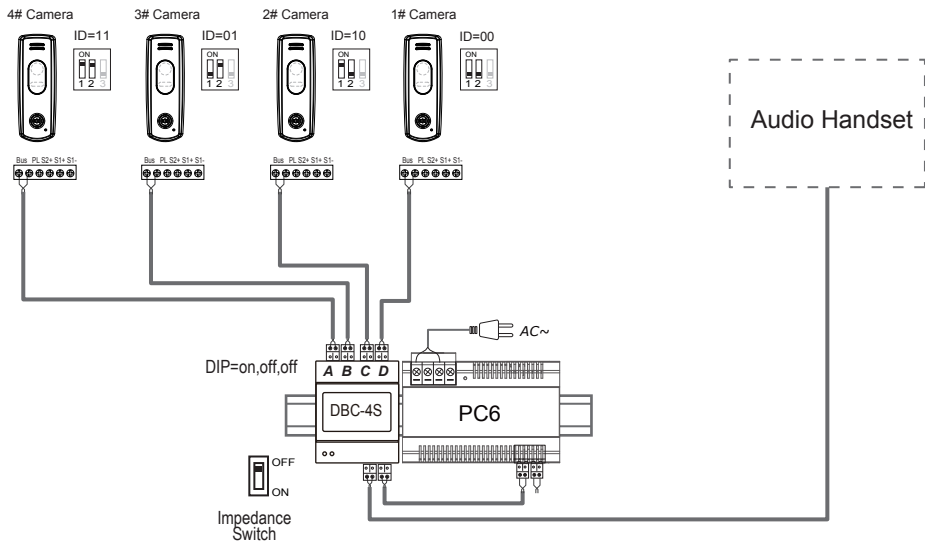
## Wiring and Connection

### Basic one-to-one connecton



BUS(Blue&Green); S2+(Red); PL(White); S1+(Yellow); S1-(Black);

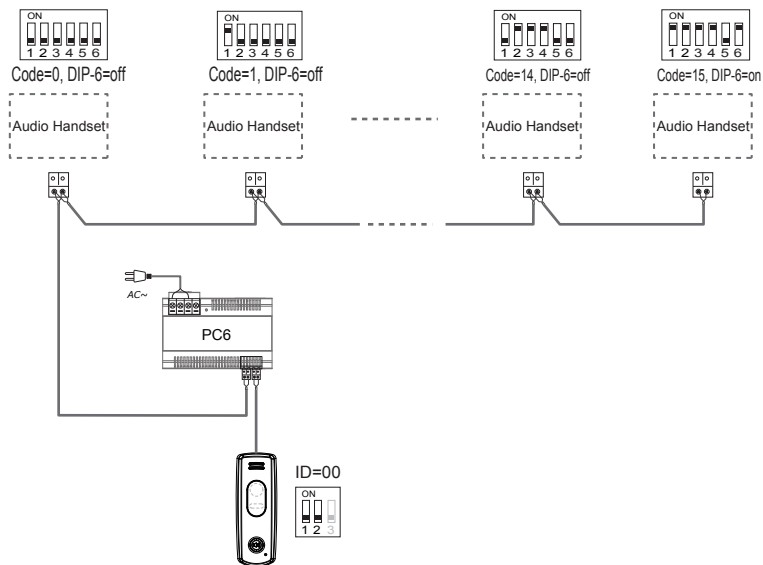
## Mult Door Station Connecton



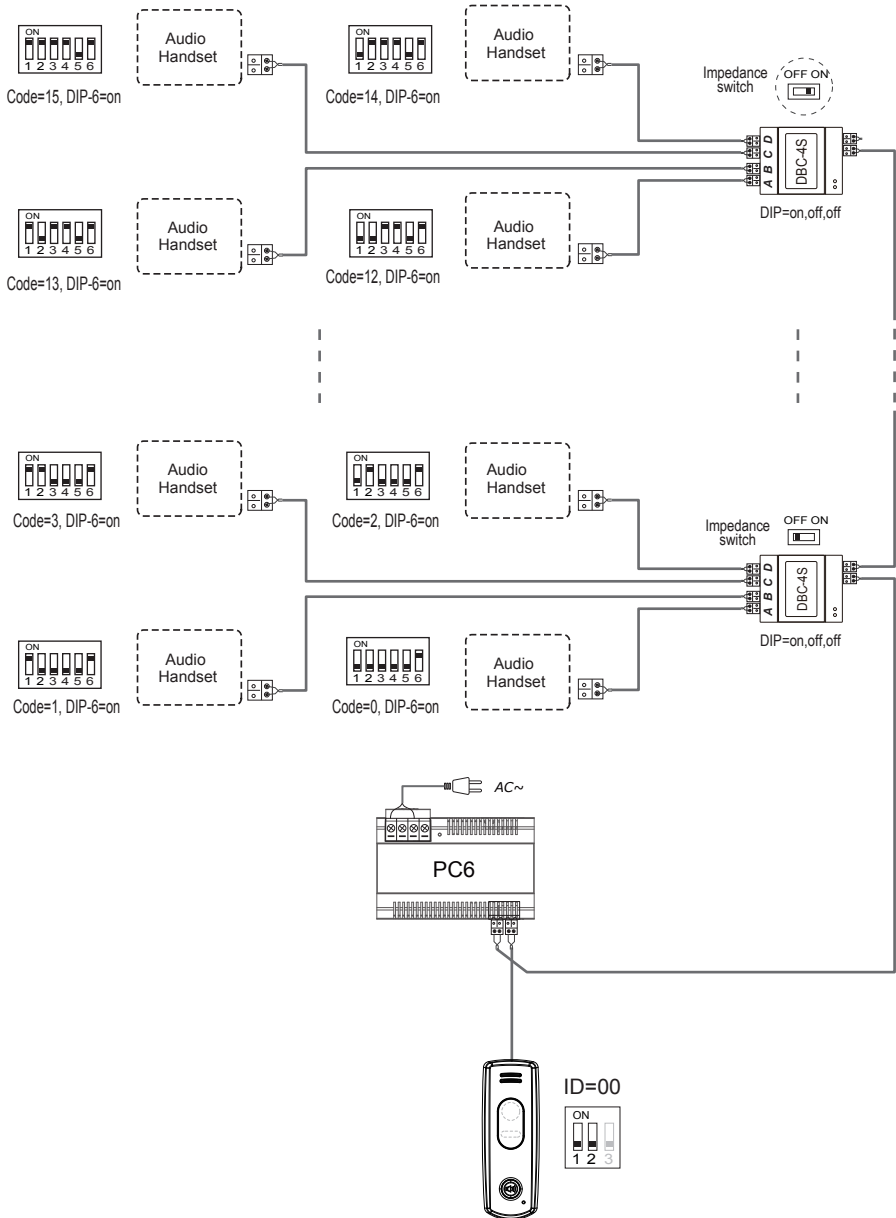
BUS(Blue&Green); S2+(Red); PL(White); S1+(Yellow); S1-(Black);

## Multi Monitors Connection Basic

IN-OUT wiring mode

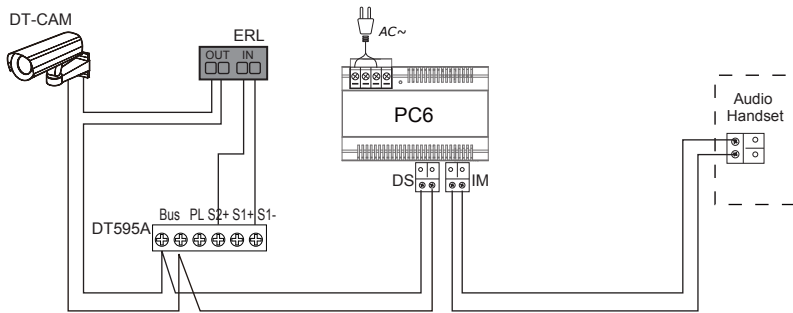


## With DBC-4S Wiring Mode



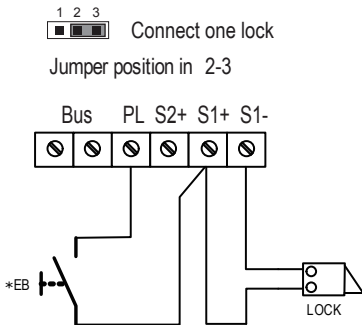
### With DT-CAM wiring mode - NOT UK

The audio door station DT595A can be extended an additional CCTV camera to be a video door station. For more details about the camera, please refer to DT-CAM user instructions.



### Electric Lock Connector

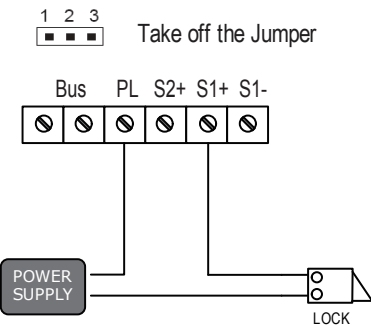
Door Lock Controlled with Internal Power



Note:

1. Electronic lock of Power-on-to-unlock (fail secure) type should be used.
2. The door lock is limited to 12V, and holding current must be less than 250mA.
3. The door lock control is not timed from Exit Button(EB).
4. The Unlock Mode Parameter of Monitor must be set to 0 (by default).

Door Lock Controlled with Dry Contact



Note:

1. An external power supply must be used depending on they type of lock used.
  2. The jumper must be taken off before connecting a lock
  3. Set the Unlock Mode of the Monitor for different lock types.
- \* Power-on-to-unlock type: Unlock Mode=0 (by default)  
 \* Power-off-to-unlock type: Unlock Mode=1

### **Instructions for Lock Relay 1 Setting:**

Use the DIP switch and PROG button to change the unlock setting.

#### **UNLOCK TYPE**

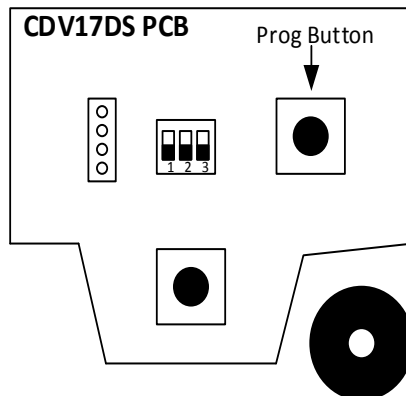
1. Set DIP-1=ON, DIP-2=OFF;
2. Press the PROG (Fig 1) button and hold for 3 secs (blue LED on) to activate the setup option:
  - 1) NO relay: press the PROG button one more time.
  - 2) NC relay: press the PROG button and hold for 3s again.

#### **UNLOCK TIME**

1. Set DIP-1=OFF, DIP-2=ON;
2. Press the PROG (fig 1) button and hold for 3 secs (blue LED on) to activate the setup option;
3. Press the PROG (fig 1) button and hold for the number of seconds required (indicted by beeps and red LED). The time between pressing and releasing the PRGO button is the unlock time.

**Note:** DIP-1 and DIP-2 should reset to the corresponding address code after setting the above.

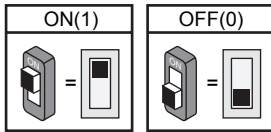
**Fig. 1**



## DIP Switch Setting





---

The DIP switch is designed to set the code for the door station and the monitor, there are two states for each DIP switch, please refer to the following:



### Door station DIP setting

Total 3 bits can be configured, bit-1 and bit-2 are used to assign ID code for door station, bit-3 is used to match the video impedance. The switches can be modified either before or after installation.

Bit state	Description
	ID = 0(00), set to the first door station
	ID = 1(10), set to the second door station
	ID = 2(01), set to the third door station
	ID = 3(11), set to the fourth door station

















Note: for video impedance EOL: set the bit-3 on.

### Indoor monitor DIP setting

There are 6 bits in total. The DIP switches are used to configure the user address for Monitors.

Bit-6 is a video impedance EOL switch, set to ON to match the impedance. Bit-1~Bit-5 are used to set user address, the user code should be set to 0~15. Please refer to the following settings:



Bit state	User code	Bit state	User code	Bit state	User code
	code=0		code=6		code=11
	code=1		code=7		code=12
	code=2		code=8		code=13
	code=3		code=9		code=14
	code=4		code=10		code=15
	code=5				

## Specification

---

- Power Supply:DC 24V
- Power Consumption:Standby 60mA; Working status 200mA
- Lock Power Supply:12Vdc, 300mA(Internal Power)
- Working Temperature: -10°C ~ +45°C
- Wiring: 2 wires,non-polarity
- Dimension:137(H)x49(W)x28(D)mm

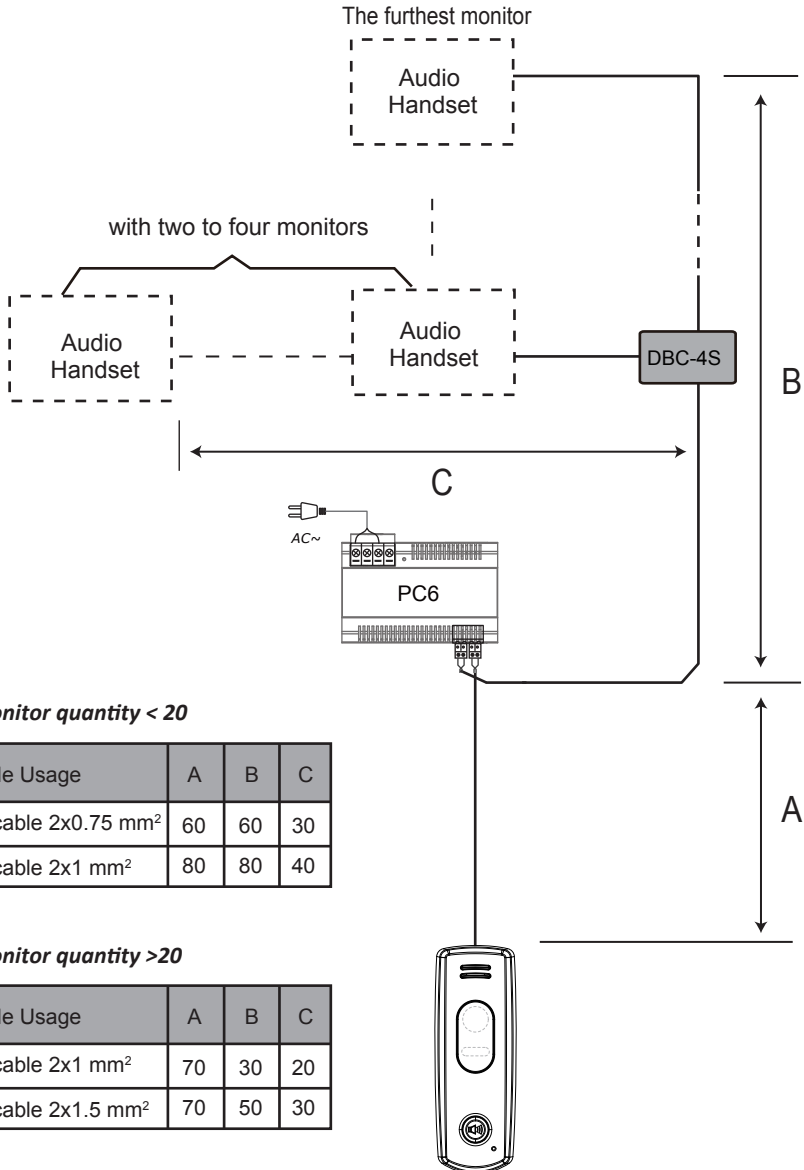
## Precautions

---

- Please clean the unit with soft cotton cloth, do not use a chemical cleaning agent. If necessary, please use a little pure water or dilute soap water to clean the dust.
- The unit is weather resistant. However do not spray high pressure water on access control keypad directly. Excessive moisture may cause problems with the unit.
- You must use the right adaptor which is supplied by the manufacture or approved by the manufacturer.
- Pay attention to high voltage inside the products, please refer service only to a trained and qualified professional.

## Cable Requirements

The maximum wiring distance is limited in the 2Easy system. Using different cables can also affect the maximum distance achievable.



### When Monitor quantity < 20

Cable Usage	A	B	C
Twisted cable 2x0.75 mm <sup>2</sup>	60	60	30
Twisted cable 2x1 mm <sup>2</sup>	80	80	40

### When Monitor quantity >20

Cable Usage	A	B	C
Twisted cable 2x1 mm <sup>2</sup>	70	30	20
Twisted cable 2x1.5 mm <sup>2</sup>	70	50	30

Note: If the monitor has been specified the distance, refer to the parameter.





The design and specifications can be changed without notice to the user. Right to interpret and copyright of this manual are preserved.